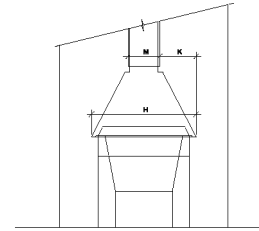


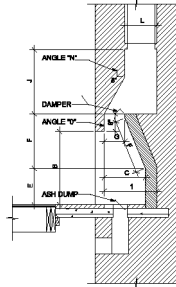
# DAMPER SPECIFICATIONS

STEEL DAMPERS					
FIREPLACE WIDTH (INCHES)	STEEL DAMPERS				
	A	B	C	D	E
24 - 26	28.25	26.75	13	24	9.5
27 - 30	32.25	30.75	13	28	9.5
31 - 34	36.25	34.75	13	32	9.5
35 - 38	40.25	38.75	13	36	9.5
39 - 42	44.25	42.75	13	40	9.5
43 - 46	48.25	46.75	13	44	9.5
47 - 50	52.25	50.75	13	48	9.5
51 - 54	56.25	54.75	13	52	9.5
57 - 60	62.5	60.75	13	58	9.5
CAST IRON DAMPERS					
FIREPLACE WIDTH (INCHES)	STEEL DAMPERS				
	A	B	C	D	E
24 - 26	28	21	13.5	24	10
27 - 30	34	26.75	13.5	30	10
31 - 34	37	29.75	13.5	33	10
35 - 38	40	32.75	13.5	36	10
39 - 42	46	38.75	13.5	48	10
43 - 46	52	44.75	13.5	48	10
47 - 50	57.5	50.5	13.5	54	10
51 - 54	64	56.5	14.5	60	11.5
57 - 60	76	58	14.5	72	11.5

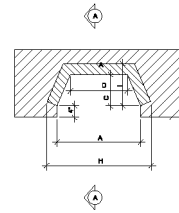
Samples from  
www.AutoCADDetails.net



ELEVATION

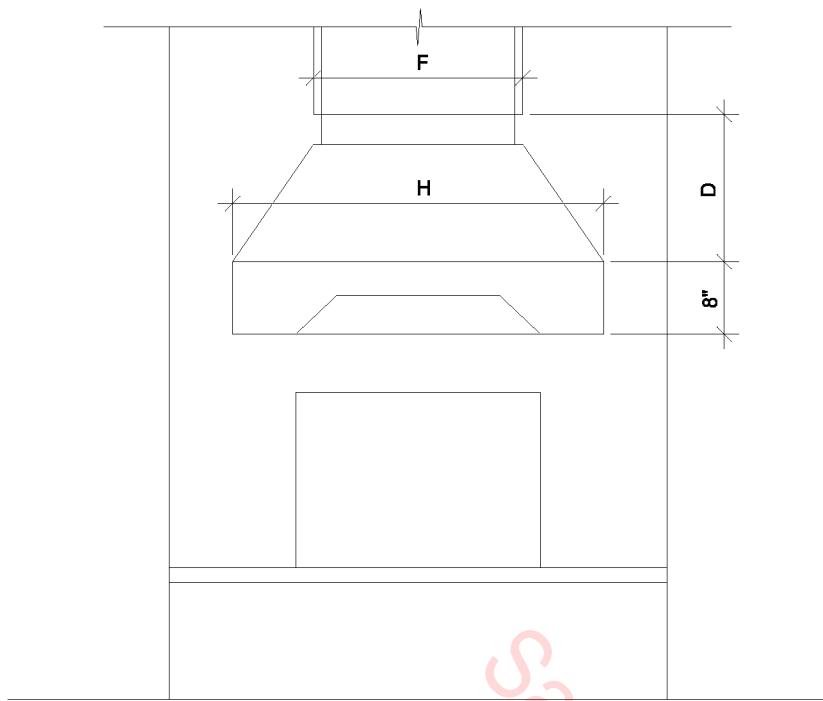


SECTION A-A

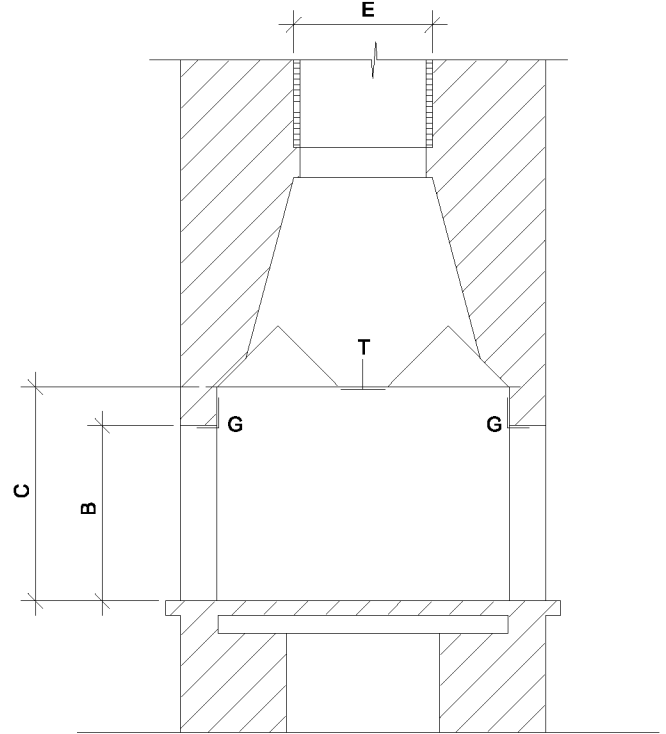


FIREPLACE DETAIL

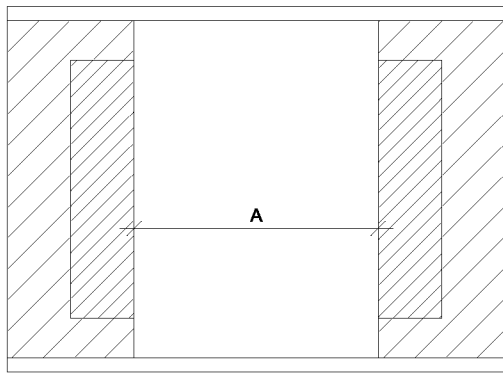
FIREPLACE DATA (In Inches)														
WIDTH	HGT.	DEPTH	BACK	VERT. BACK	SLOPE (HEIGHT)	WIDTH	DEPTH	SHOULDER	RECT.	FLUE LINER	MODULAR	FEET		
A	B	C	D	E	F	G	H	I	J	K	L	M		
24	34	18	11	14	15	8.75	32	20	19	11.24	8 1/2 x 9 1/2	8	10	8 x 12
28	34	18	13	14	15	8.75	34	20	21	11.52	8 1/2 x 9 1/2	8	11	8 x 12
30	34	18	15	14	15	8.75	36	20	21	11.52	8 1/2 x 9 1/2	8	11	8 x 12
30	34	18	17	14	15	8.75	38	20	24	12.12	8 1/2 x 9 1/2	10	13	12 x 12
32	34	18	19	14	15	8.75	40	20	24	12.12	8 1/2 x 9 1/2	10	14	12 x 12
38	34	18	23	14	21	8.75	44	20	27	12.12	13 x 13	12	16	12 x 12
40	34	18	27	14	21	8.75	48	20	29	12.12	13 x 13	12	18	12 x 12
42	32	18	28	14	23	8.75	60	20	33	12.12	13 x 13	12	17	18 x 18
48	32	18	33	14	23	8.75	66	22	37	12.12	13 x 13	16	20	18 x 18
54	27	20	37	13	27	13	68	24	46	20	13 x 18	16	28	18 x 30
60	27	22	42	13	27	13	72	27	46	27	13 x 18	16	28	18 x 30
60	40	22	42	13	28	13	72	27	49	27	16 x 18	16	28	18 x 30
72	40	22	54	13	28	13	84	27	48	33	16 x 18	16	28	20 x 30
84	40	24	64	20	28	13	96	29	57	36	20 x 20	20	26	20 x 30
86	40	24	76	20	28	13	108	29	73	42	24 x 24	22	42	20 x 30



ELEVATION

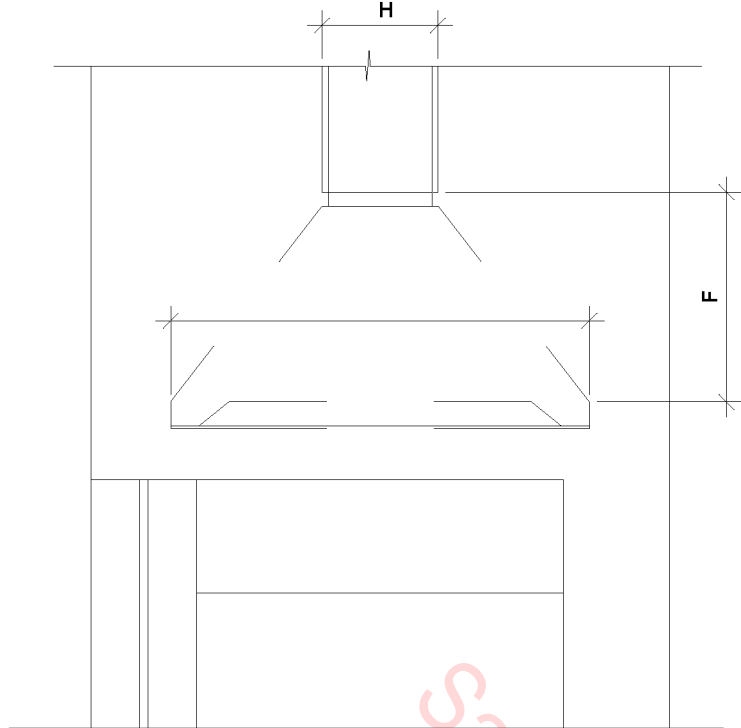


SECTION A-A

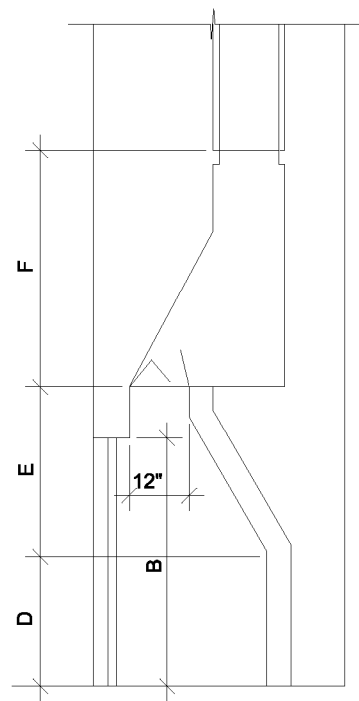


**FIREPLACE DETAIL**

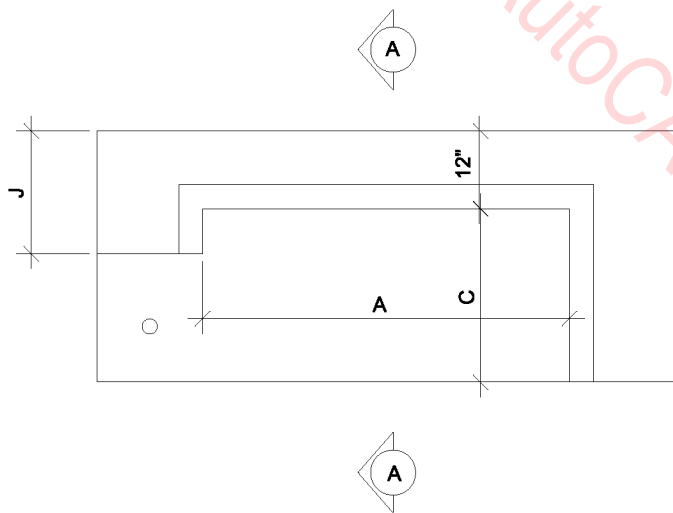
FIREPLACE DATA (In Inches)											
A	B	C	D	FLUE SIZE (OLD)		RND.	NEW MOD. SIZE		ANGLE (2)	TEE LENGTH	
				E	F		E	F			G
28	24	35	19	13	13	12	12	16	36	36	35
32	29	35	21	13	18	15	16	16	40	40	39
36	29	35	21	13	18	15	16	16	42	44	43
40	29	35	27	18	18	18	16	20	48	48	47
48	32	37	32	18	18	18	20	20	54	56	55



ELEVATION



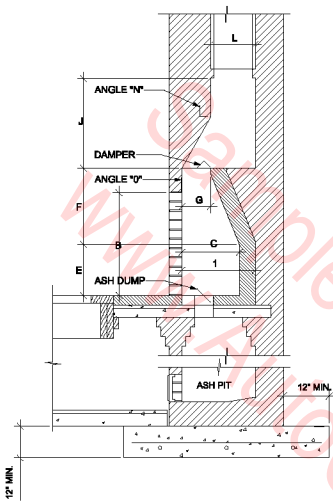
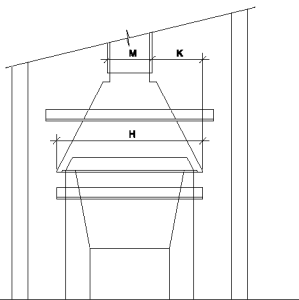
SECTION A-A



FIREPLACE DETAIL

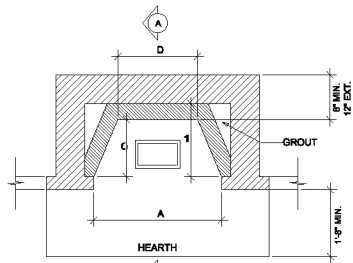
## FIREPLACE DATA (In Inches)

						FLUE SIZE (OLD)	RND.	NEW MOD. SIZE					COL. HGT.
A	B	C	D	E	F	G	H		G	H	I	J	
28	26.5	16	14	20	29.25	13	13	12	12	12	36	16	26.5
32	26.5	16	14	20	32	13	13	12	12	16	40	16	26.5
36	26.5	16	14	20	35	13	13	12	12	16	44	16	26.5
40	29	16	14	20	35	13	18	15	16	16	48	16	29
48	29	20	14	24	43	13	18	15	16	16	56	20	29
54	29	20	14	23	45	13	18	15	16	16	62	20	29
60	29	20	14	23	51	13	18	15	16	20	68	20	29

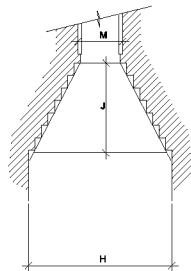


ELEVATION

SECTION A-A



PLAN

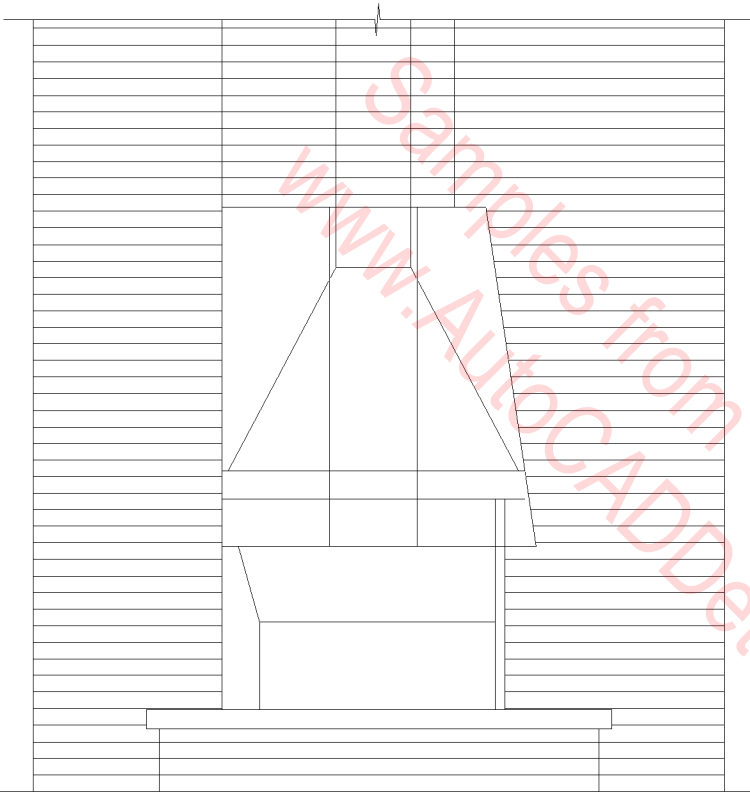


DOMED DETAIL

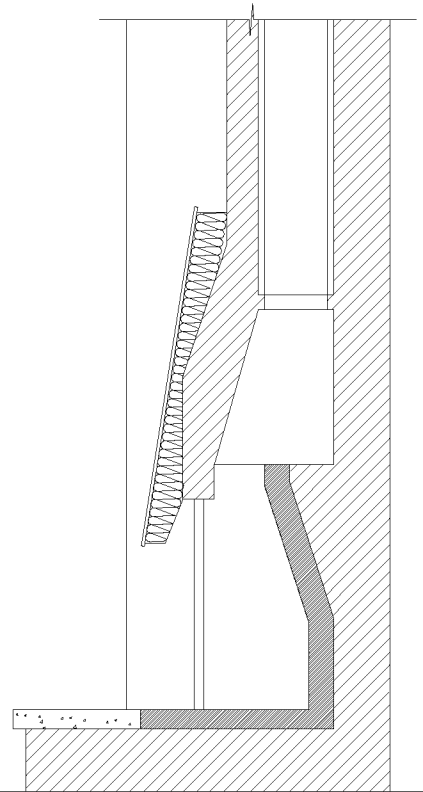
FIREPLACE DETAIL

FIREPLACE DATA (In Inches)																		
Fin. Fireplace Opn'g							New Dimensions				Old Dimensions			Steel Ang.				
A	B	C	D	E	F	G	H	I	J	K	L	M	Rnd.	K	L	M	N	O
24	24	16	11	14	18	8 3/4	32	20	19	10	8	12	8	11 3/4	8 1/2	8 1/2	A-36	A-36
28	24	18	13	14	18	8 3/4	34	20	21	11	8	12	8	12 3/4	8 1/2	8 1/2	A-36	A-36
28	24	16	15	14	18	8 3/4	36	20	21	12	8	12	10	11 1/2	8 1/2	13	A-36	A-36
30	29	18	17	14	23	8 3/4	38	20	24	13	12	12	10	12 1/2	8 1/2	13	A-42	A-42
32	29	18	19	14	23	8 3/4	40	20	24	14	12	12	10	18 1/2	8 1/2	13	A-42	A-42
36	29	18	23	14	23	8 3/4	44	20	27	16	12	12	12	15 1/2	13	13	A-48	A-42
40	29	18	27	14	23	8 3/4	48	20	29	16	12	16	12	17 1/2	13	13	A-48	A-48
42	32	18	29	14	26	8 3/4	50	20	32	17	16	18	12	18 1/2	13	13	B-54	A-48
48	32	18	33	14	26	8 3/4	56	22	37	20	18	18	15	21 1/2	13	13	B-80	B-54
54	37	20	37	18	29	13	68	24	45	28	18	18	15	25	13	18	B-72	B-60
60	37	22	42	18	29	13	72	27	45	28	18	20	15	27	13	18	B-72	B-66
60	40	22	42	18	31	13	72	27	45	28	18	20	18	27	16	18	B-72	B-66
72	40	22	54	18	31	13	84	27	56	32	20	20	18	33	18	18	C-84	C-84
84	40	24	64	20	28	13	96	29	61	36	20	24	20	36	20	20	C-96	C-88
96	40	24	70	20	28	13	108	29	75	42	20	24	22	42	24	24	C-108	C-108

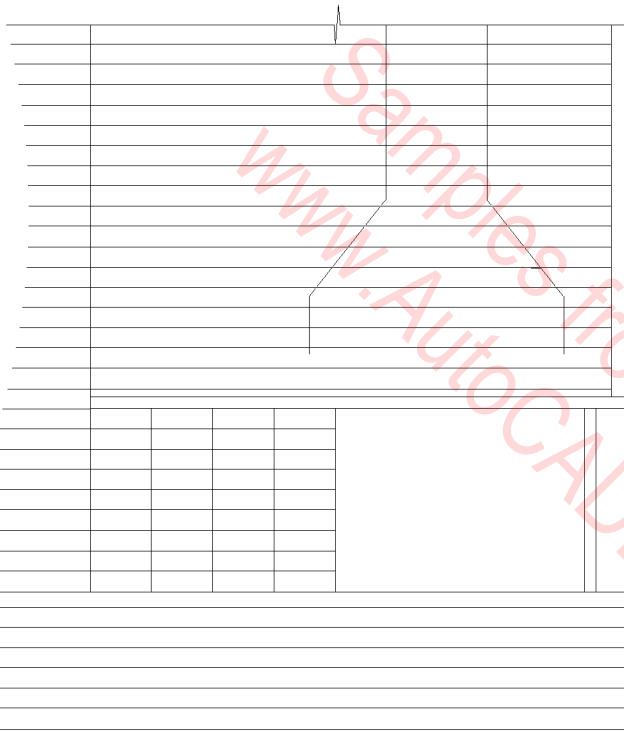
SIZES: A. 3" x 3" x 3/16" B. 3 1/2" x 3" x 1/4" C. 5" x 3 1/2" x 5/16"



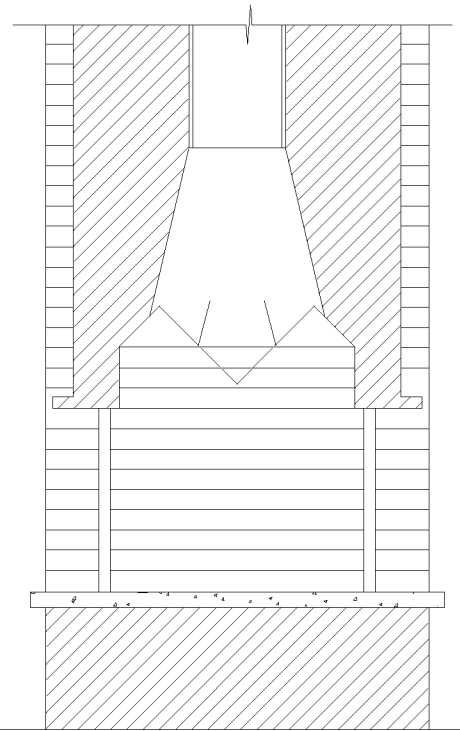
FIREPLACE ELEVATION



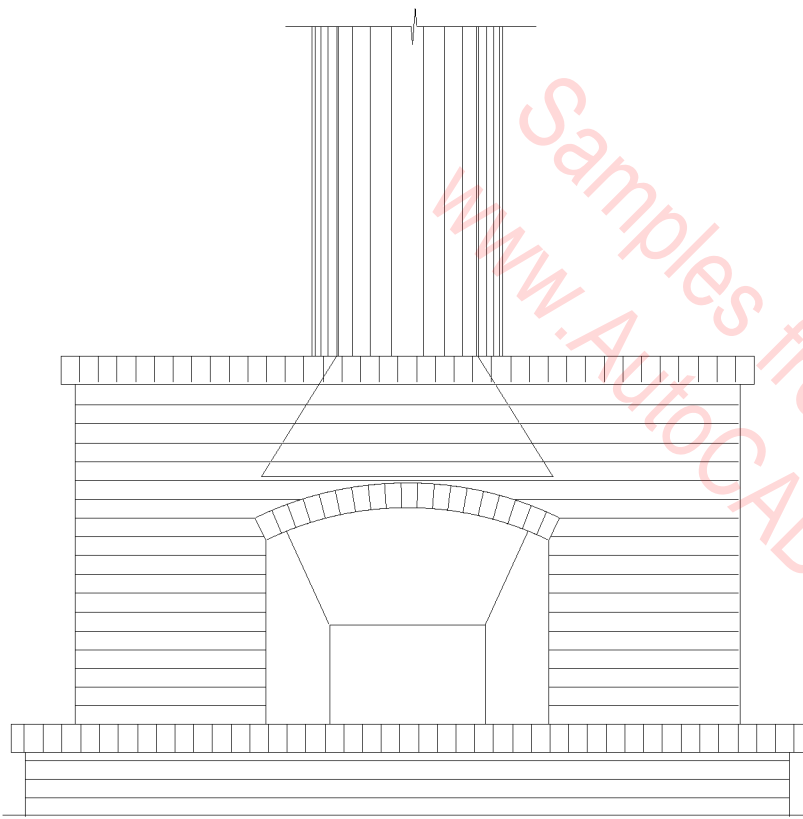
FIREPLACE SECTION



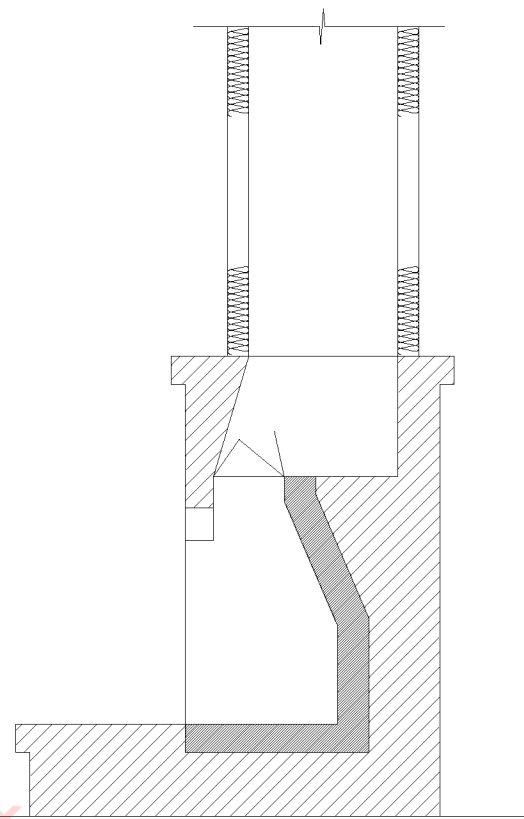
FIREPLACE ELEVATION



FIREPLACE SECTION

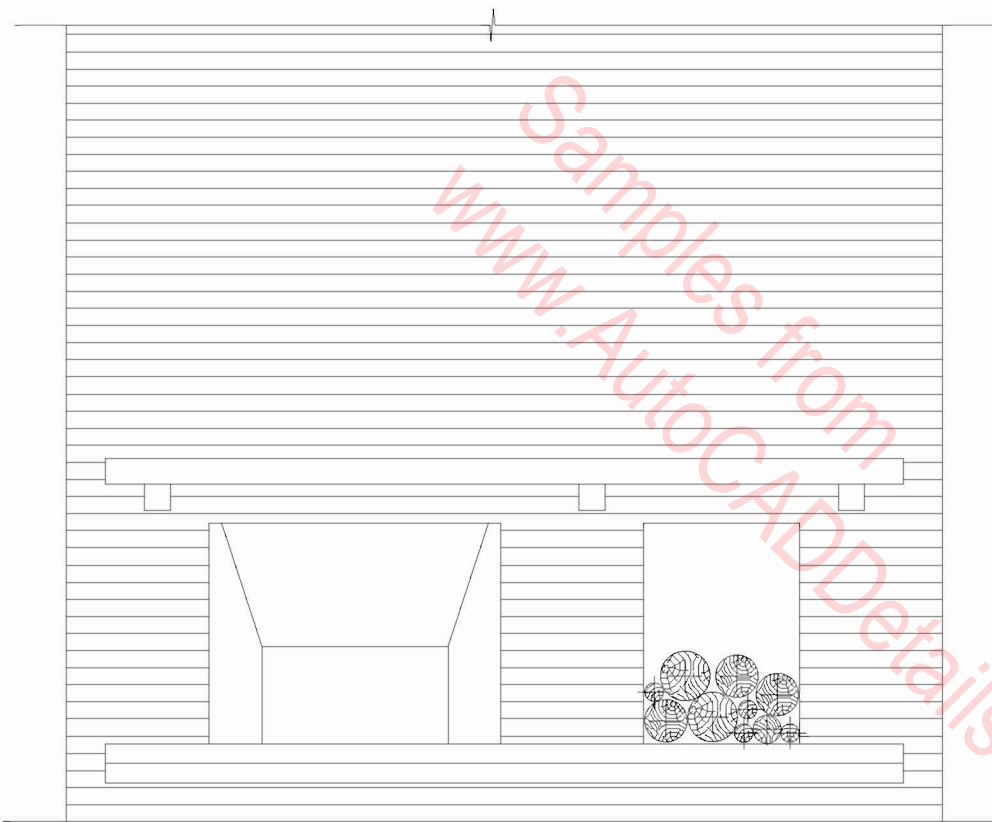


FIREPLACE ELEVATION

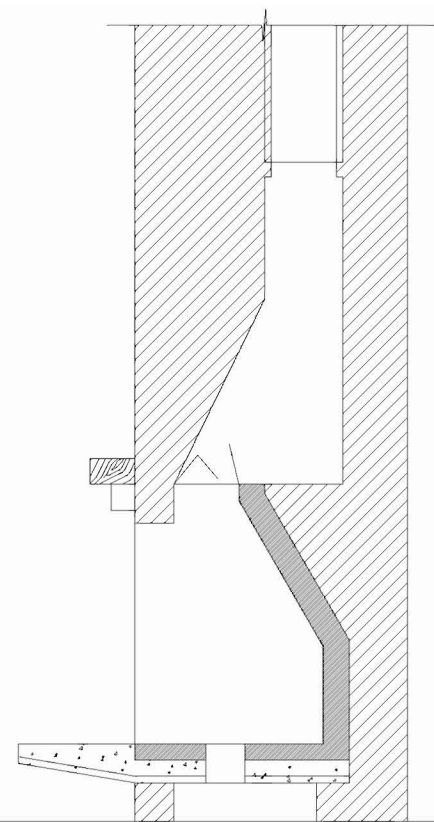


FIREPLACE SECTION

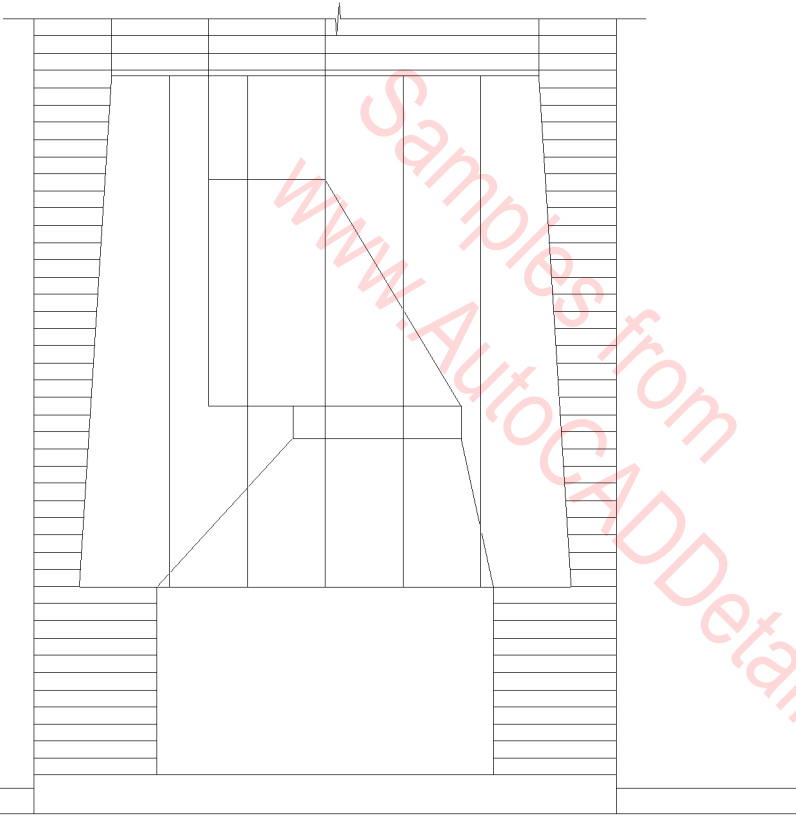




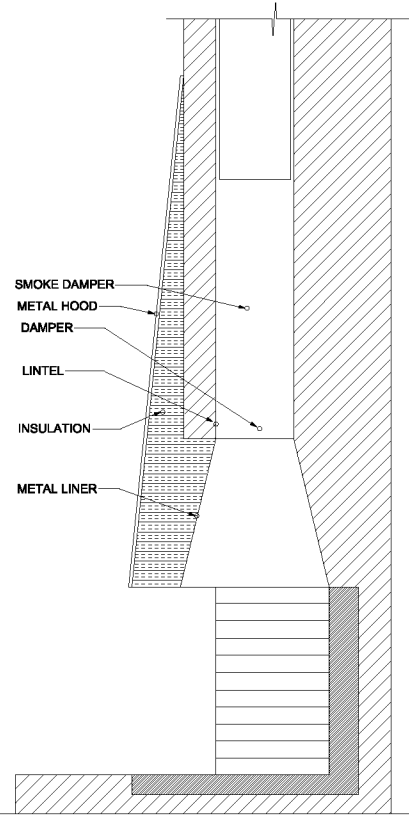
FIREPLACE ELEVATION



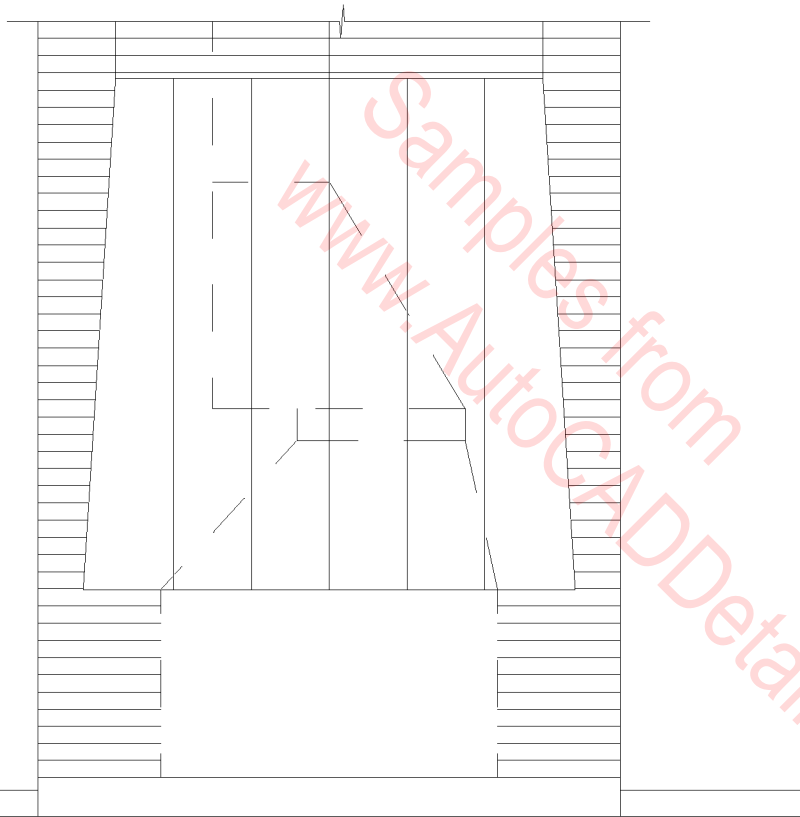
FIREPLACE SECTION



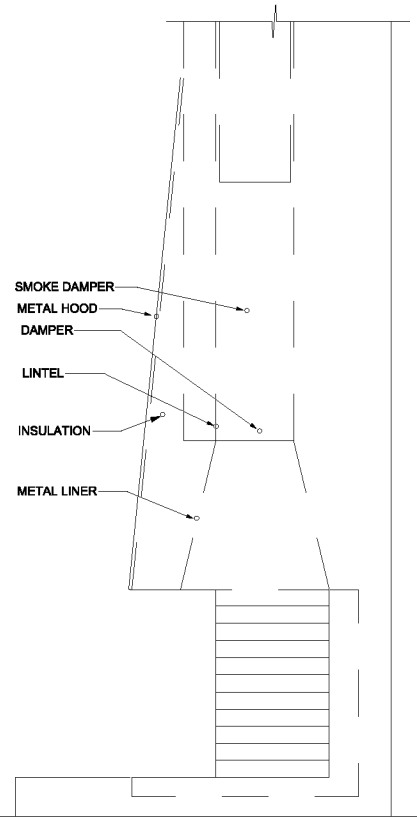
FIREPLACE ELEVATION



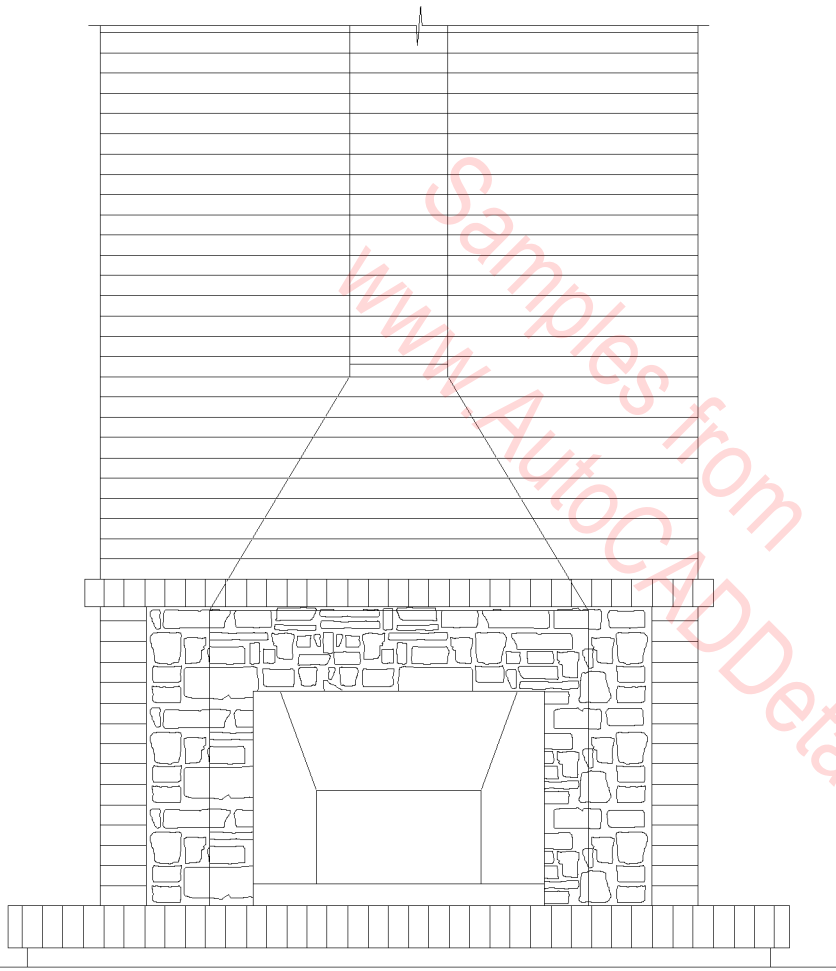
FIREPLACE SECTION



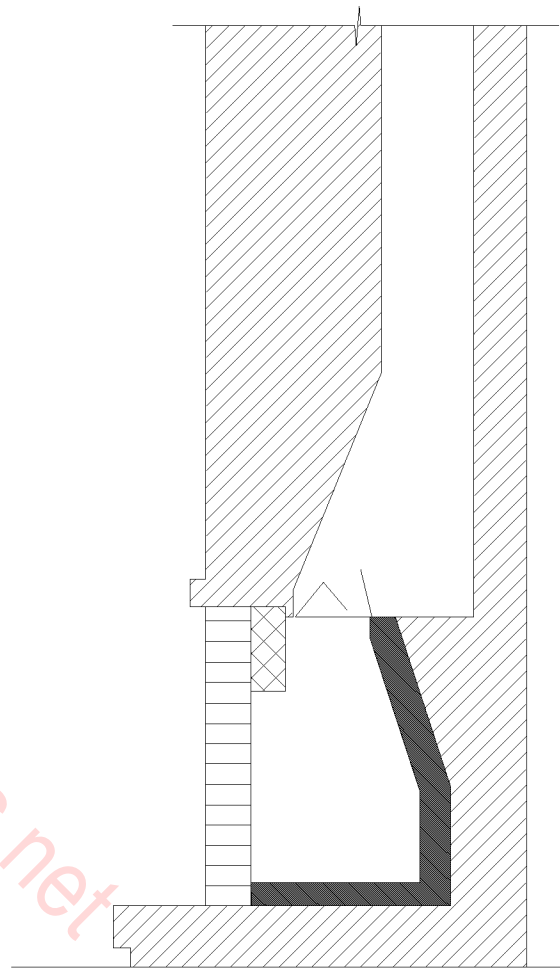
FIREPLACE ELEVATION



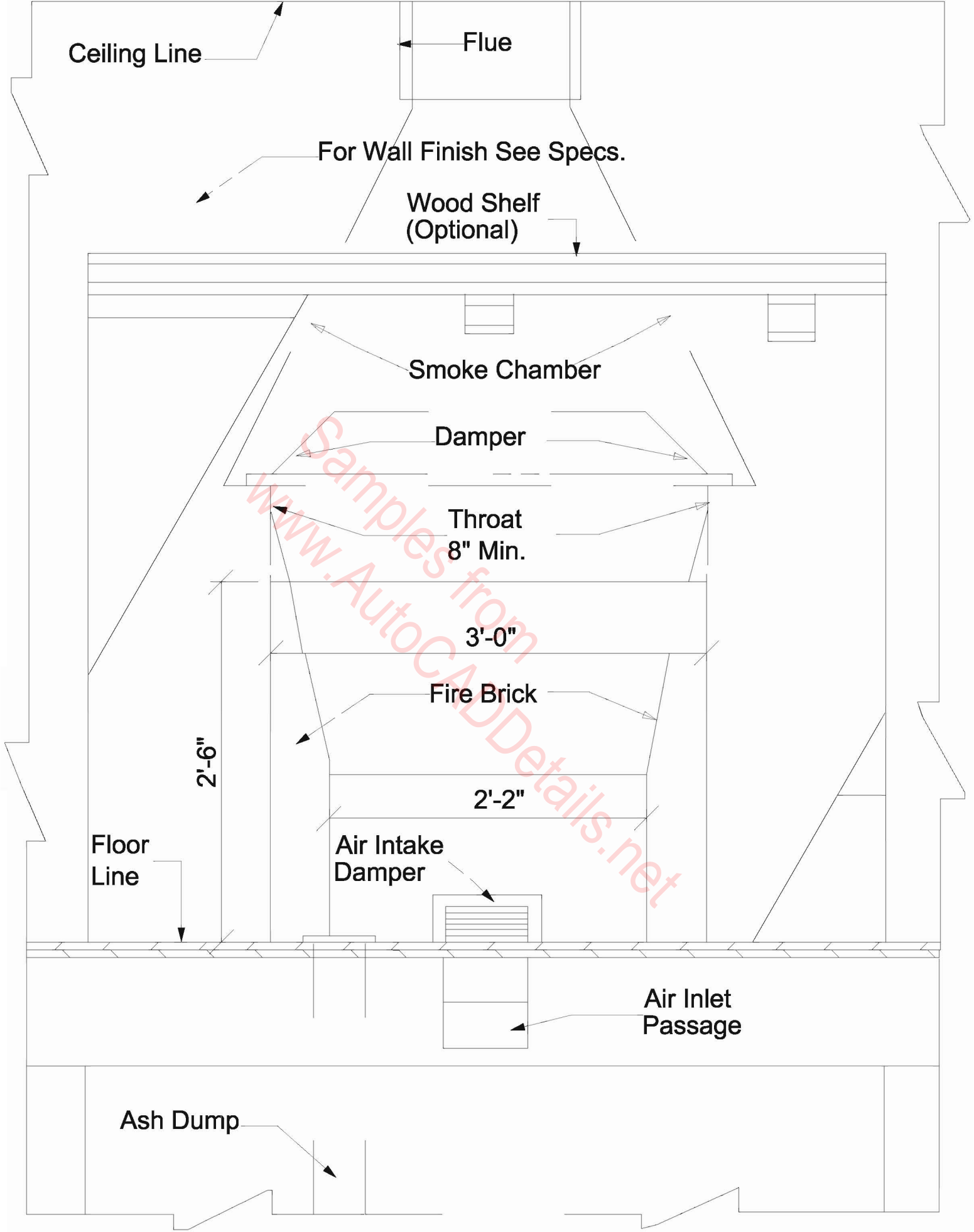
FIREPLACE SECTION



**FIREPLACE ELEVATION**



**FIREPLACE SECTION**



**FIREPLACE ELEVATION**

EDGE OF MASONRY FIREBOX

6" (MIN.) PROJECTION BEYOND FIREBOX OR CHIMNEY MASONRY

12" (MIN.) DEPTH WITHOUT REBAR

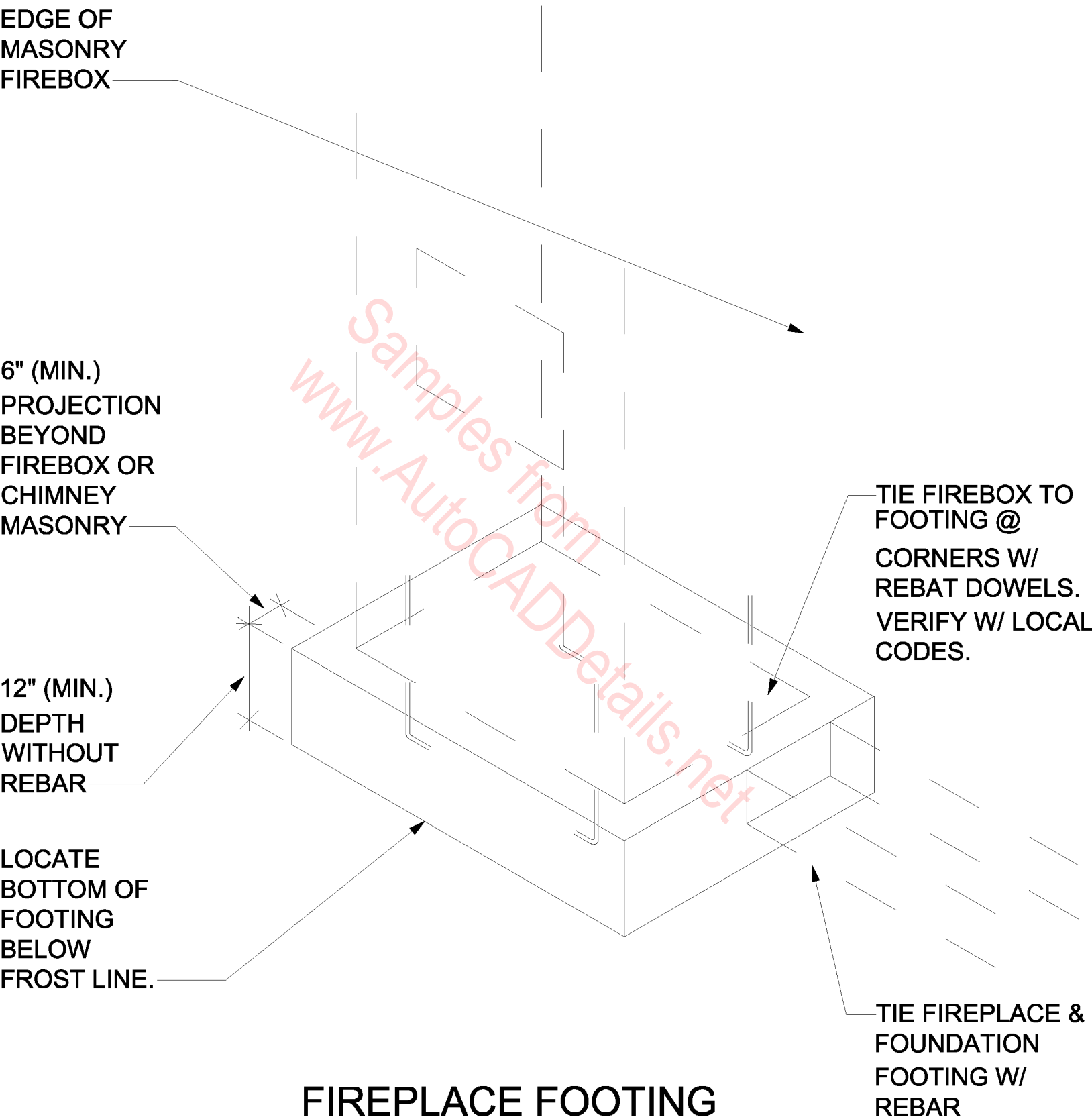
LOCATE BOTTOM OF FOOTING BELOW FROST LINE.

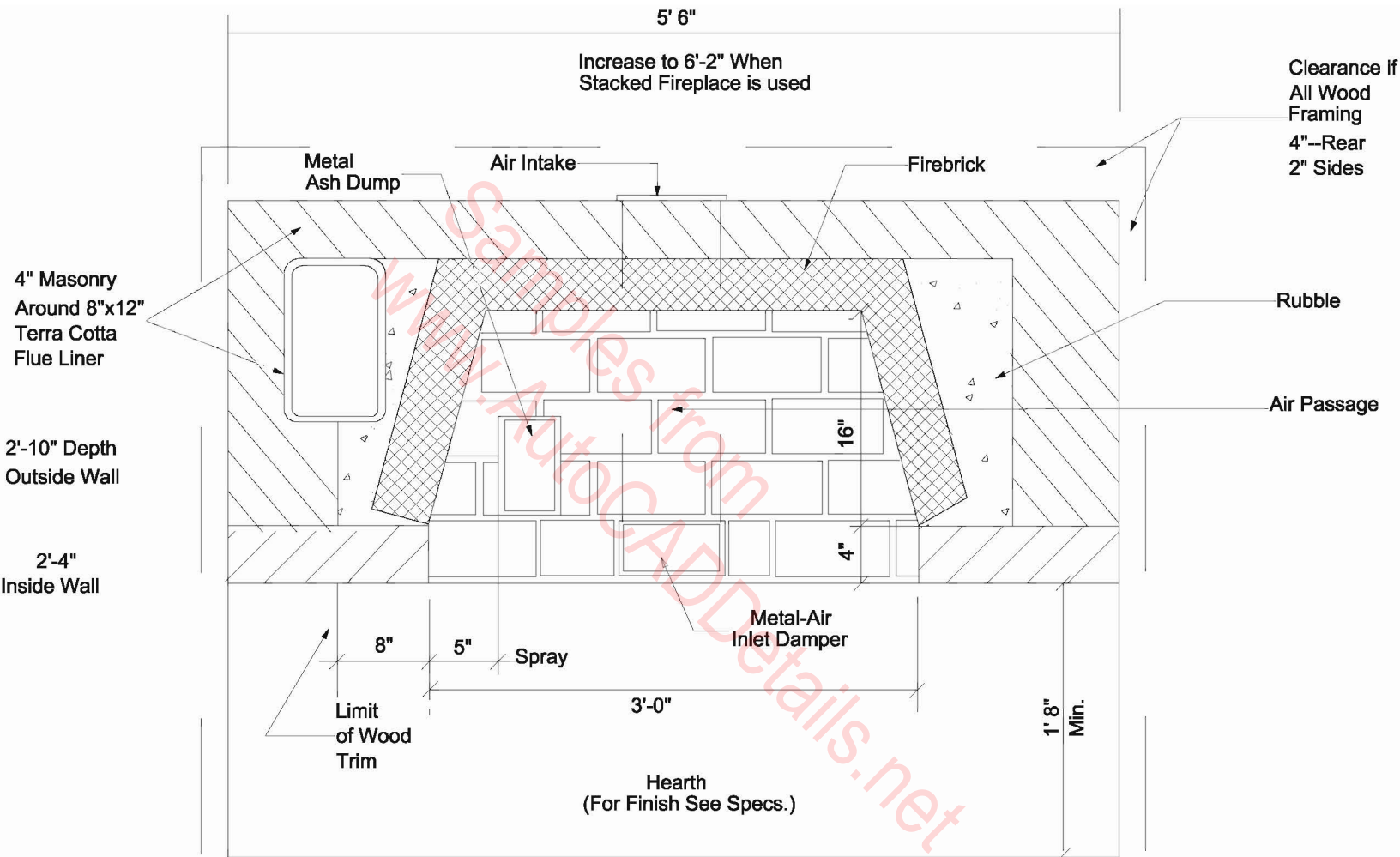
Samples from  
www.AutocADDetails.net

TIE FIREBOX TO FOOTING @ CORNERS W/ REBAT DOWELS. VERIFY W/ LOCAL CODES.

TIE FIREPLACE & FOUNDATION FOOTING W/ REBAR

# FIREPLACE FOOTING





**Fireplace Plan View**

# REINFORCING:

PROVIDE (4) #4 BARS (EXTEND FULL HEIGHT OF CHIMNEY)  
HORIZ. TIES. 1' @ 18" O.C. WITH W/(2) TIES @ EA. BEND  
VERT. STEEL WHERE CHIMNEY IS WIDER THAN 40", PROVIDE (2) ADDITIONAL VERT. REINF. BARS

ANCHOR CHIMNEY @ EA. FLOOR & ROOF W/ (2) 3/16" STL STEAPS EMBEDDED INTO CHIMNEY OUTER VERT. BARS W/6" EXTENSIONS  
FASTEN EA. STRAP TO STRUCTURE W/ (6) 16d NAILS

4 X 12 HEADER

PARGED SMOKE SHELF

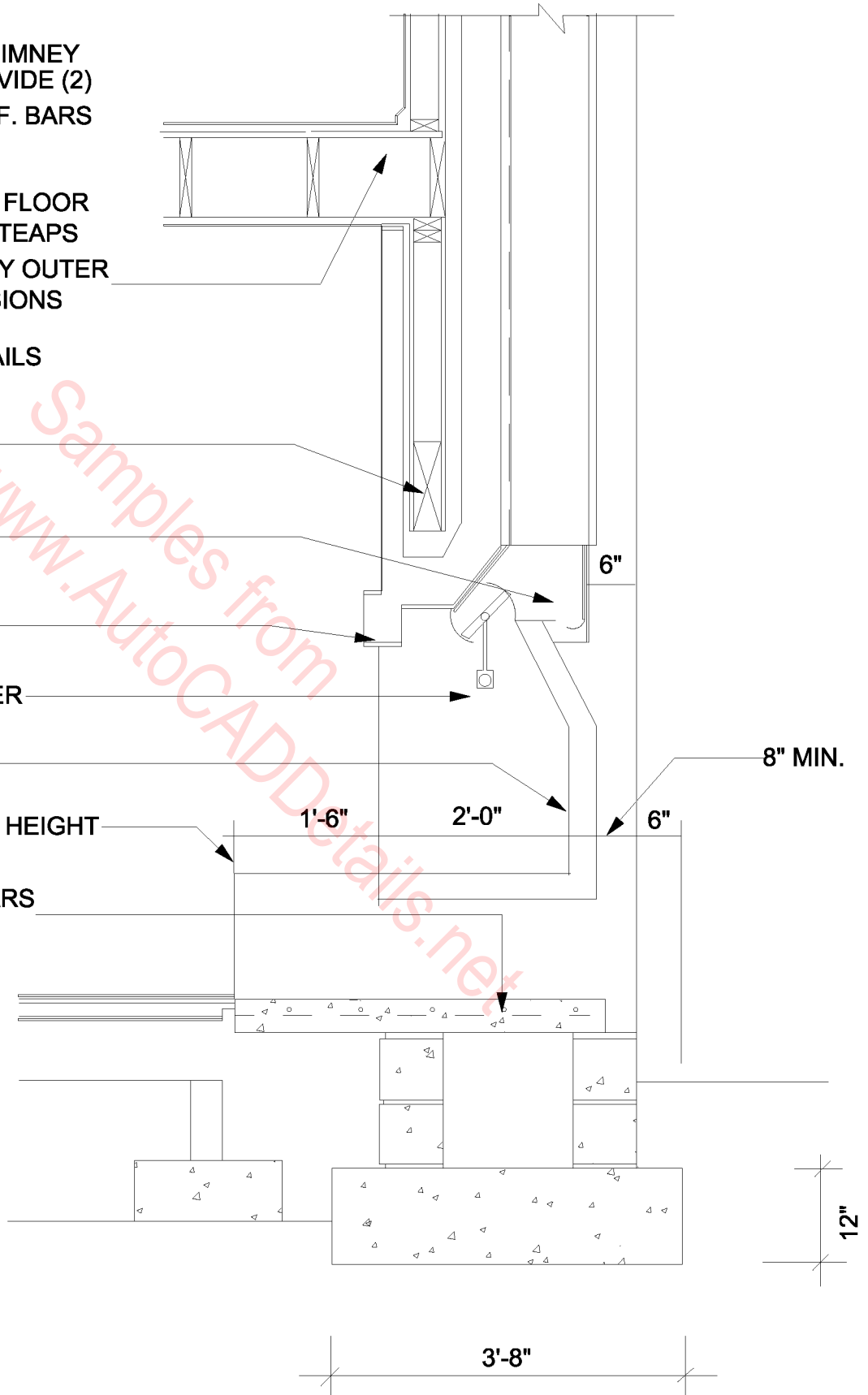
STL. 1/4" X 4" X 4" LINTEL

POKER CONTROL DAMPER

FIREBRICK

RAISED HEARTH- VERIFY HEIGHT

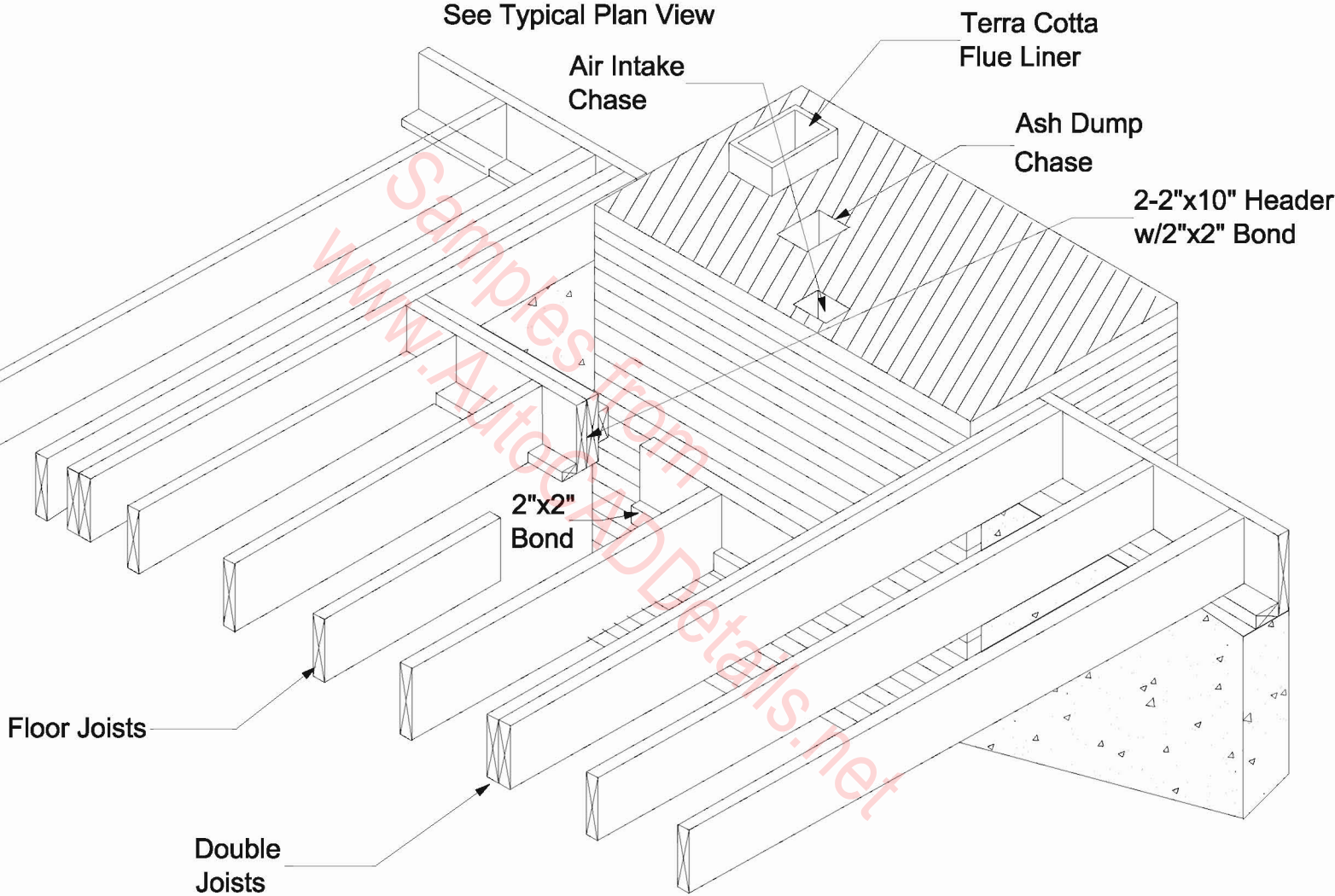
4" CONC. SLAB W/ #3 BARS @ 9" O.C. EA. WAY



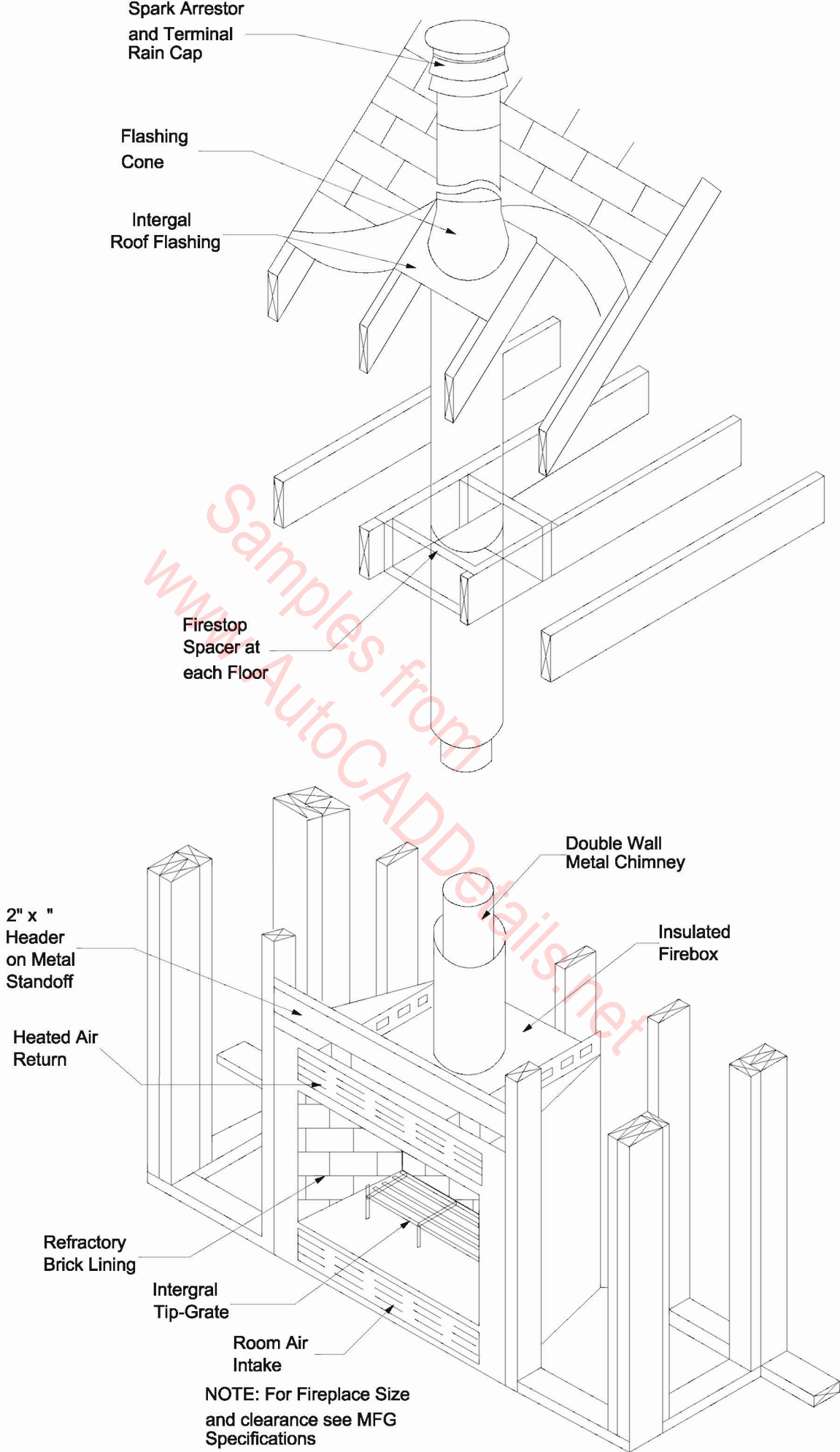
# FIREPLACE SECTION



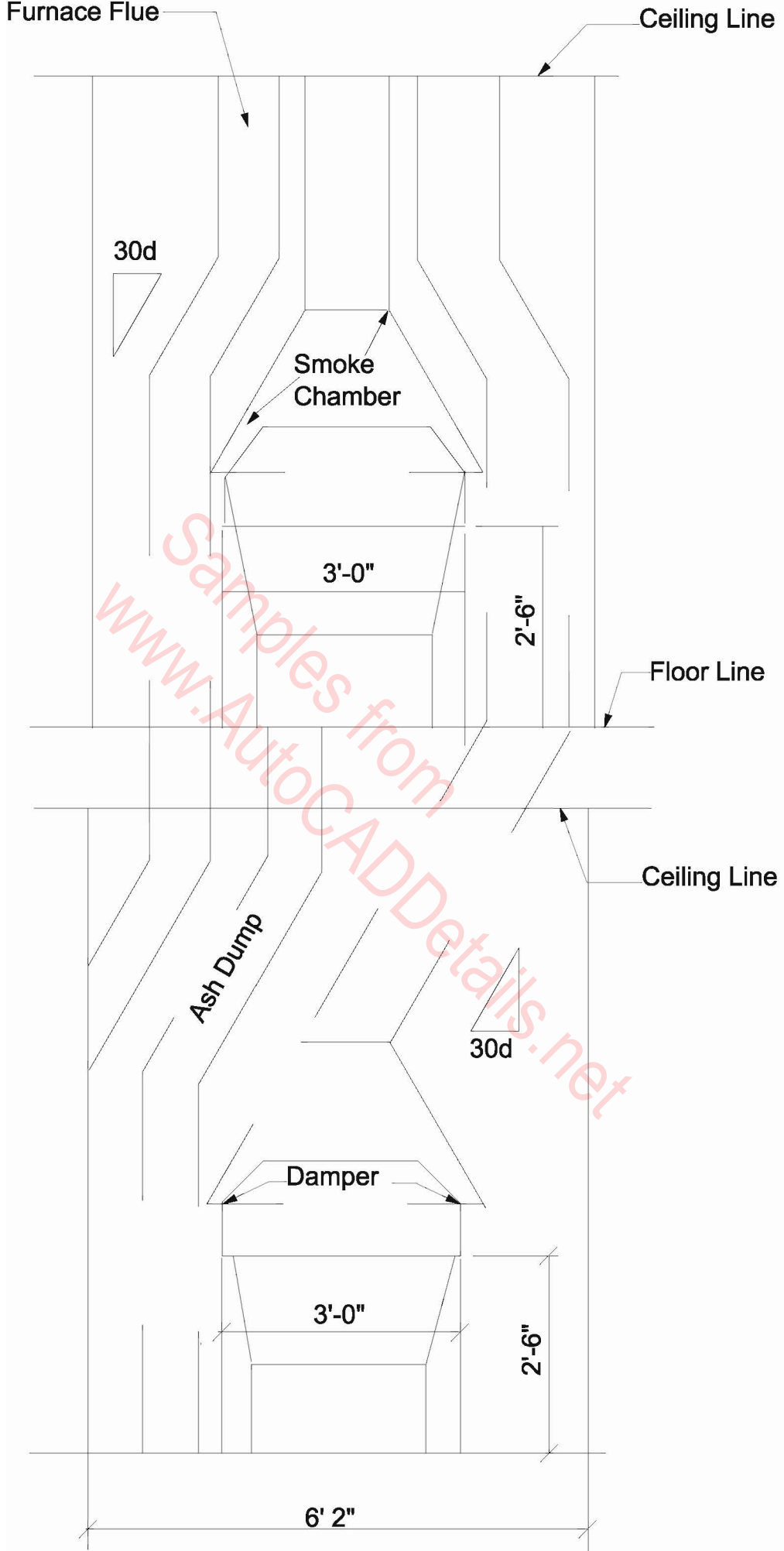
NOTE: For framing clearances  
See Typical Plan View



Hearth Framing Detail



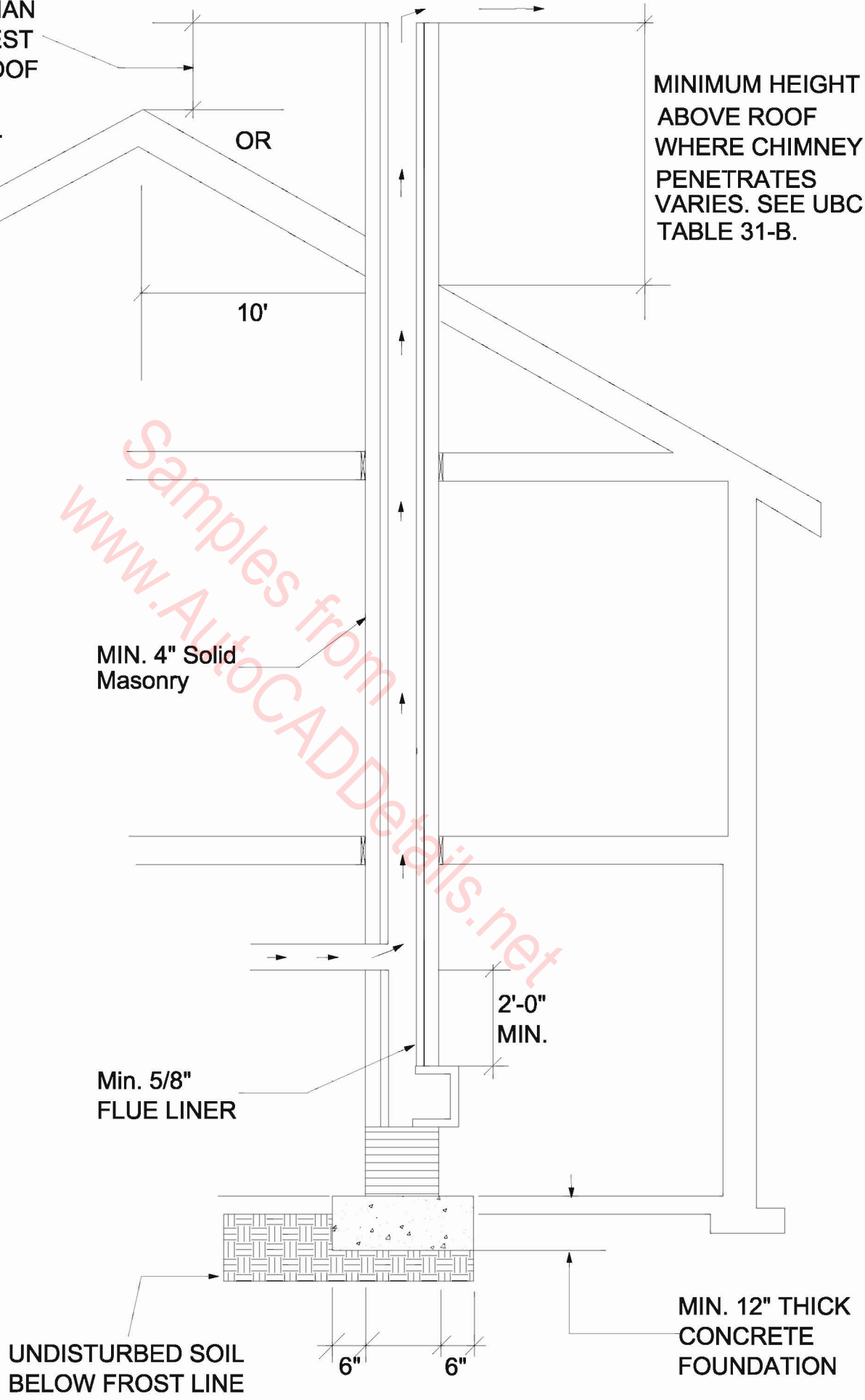
**Prefabricated Fireplace Detail**



**STACKED ELEVATION**

TOP OF CHIMNEY  
MUST BE AT LEAST  
2 FT HIGHER THAN  
PEAK OR HIGHEST  
PORTION OF ROOF  
WITHIN 10 FT.  
HORIZONTALLY.

MINIMUM HEIGHT  
ABOVE ROOF  
WHERE CHIMNEY  
PENETRATES  
VARIES. SEE UBC  
TABLE 31-B.



MIN. 4" Solid  
Masonry

Min. 5/8"  
FLUE LINER

2'-0"  
MIN.

UNDISTURBED SOIL  
BELOW FROST LINE

MIN. 12" THICK  
CONCRETE  
FOUNDATION

TYPICAL MASONRY CHIMNEY